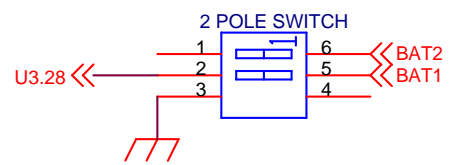
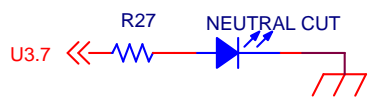
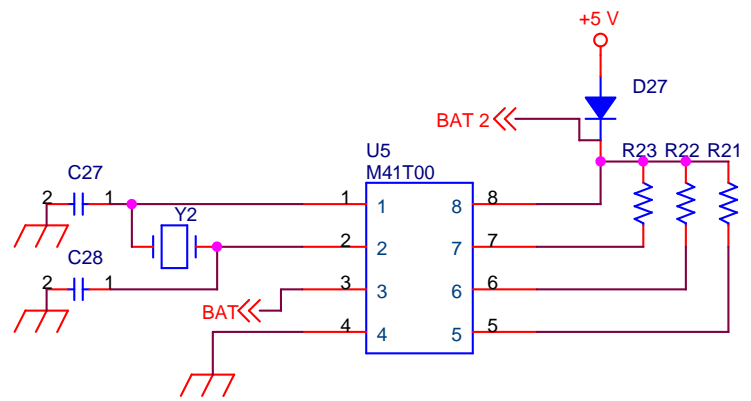
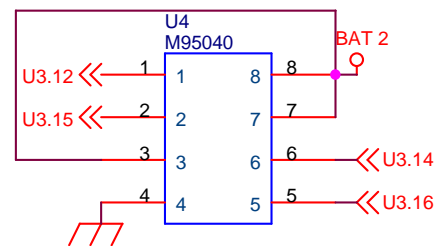
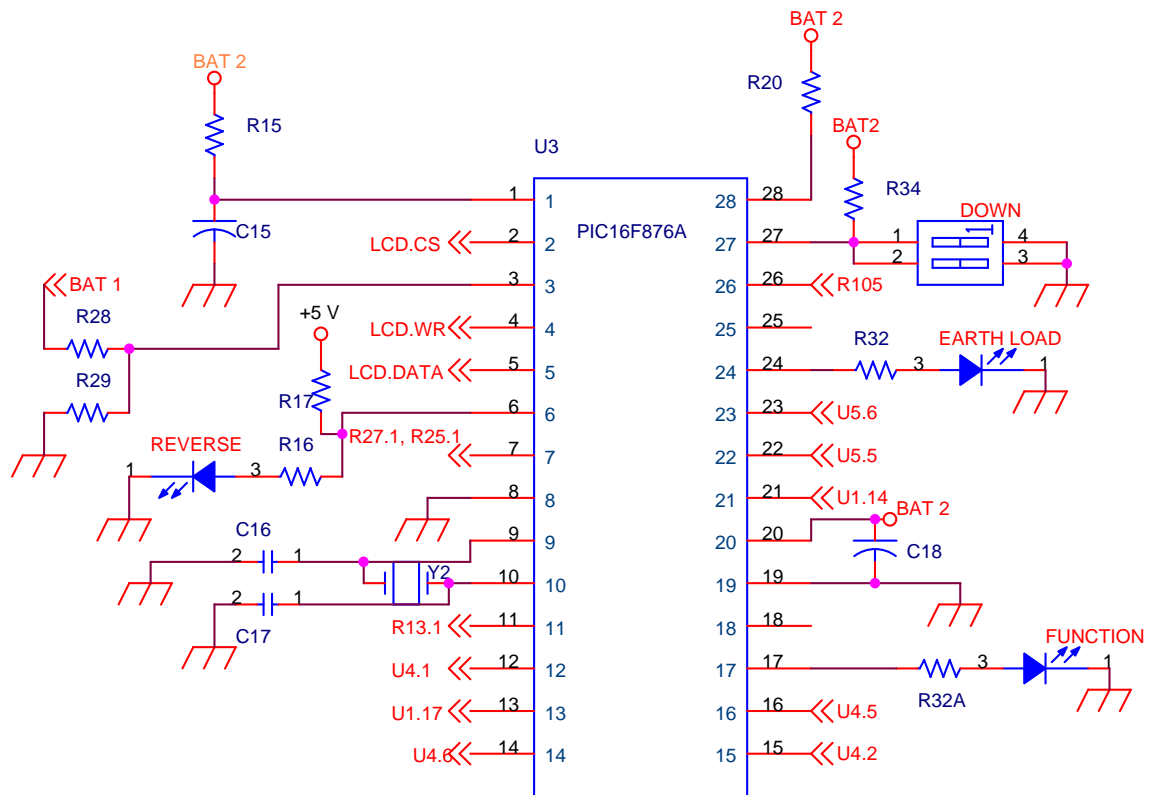
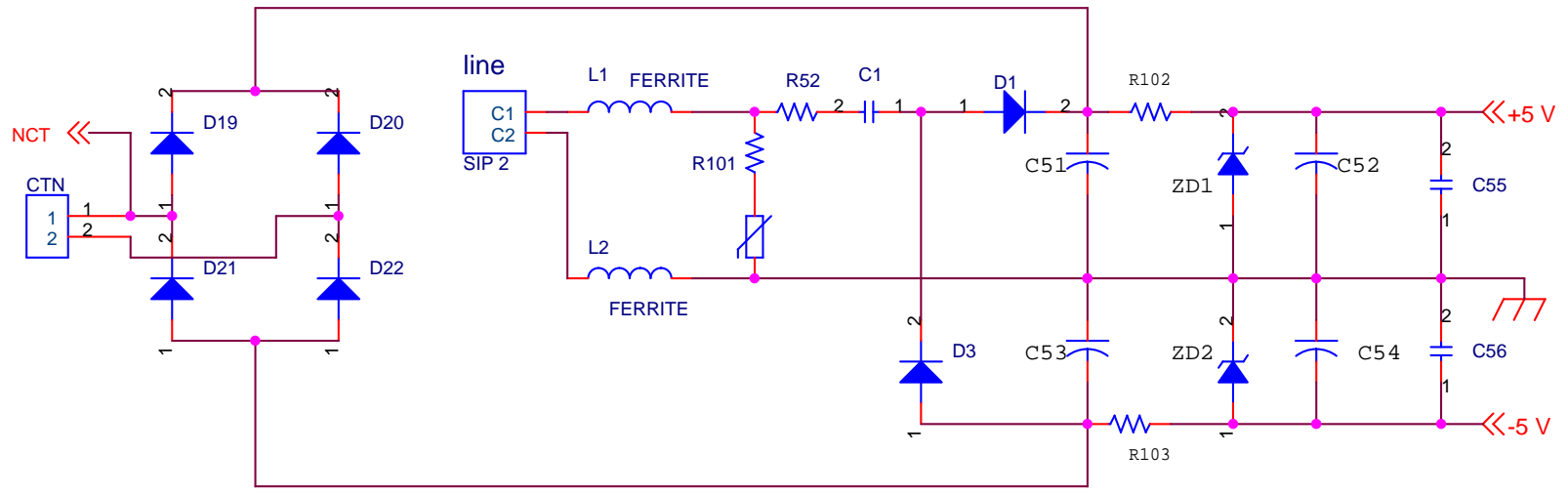


| | | |
|--------------------------|--------------------------|------------------|
| AS DAQ SYSTEMS PVT. LTD. | | |
| Title <Title> | | |
| Size A | Document Number <Doc> | Rev <RevCode> |
| Date: | Thursday, March 18, 2004 | Sheet 1 of 1 |

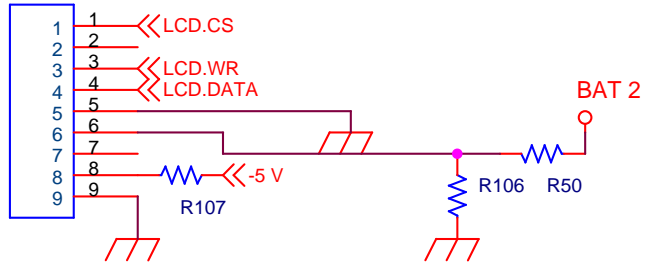


| | | |
|--------------------------|--------------------------|------------------|
| AS DAQ SYSTEMS PVT. LTD. | | |
| Title <Title> | | |
| Size A | Document Number <Doc> | Rev <RevCode> |
| Date: | Thursday, March 18, 2004 | Sheet 1 of 1 |



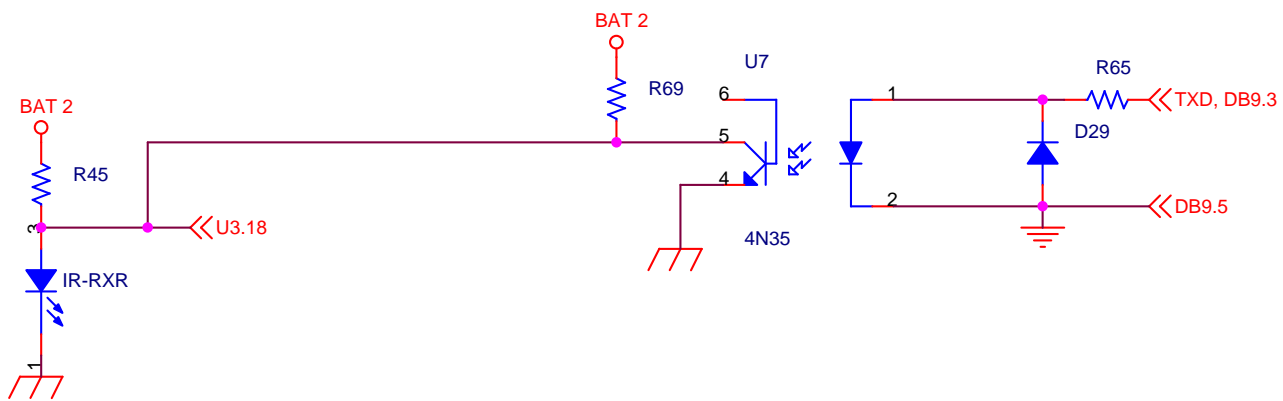
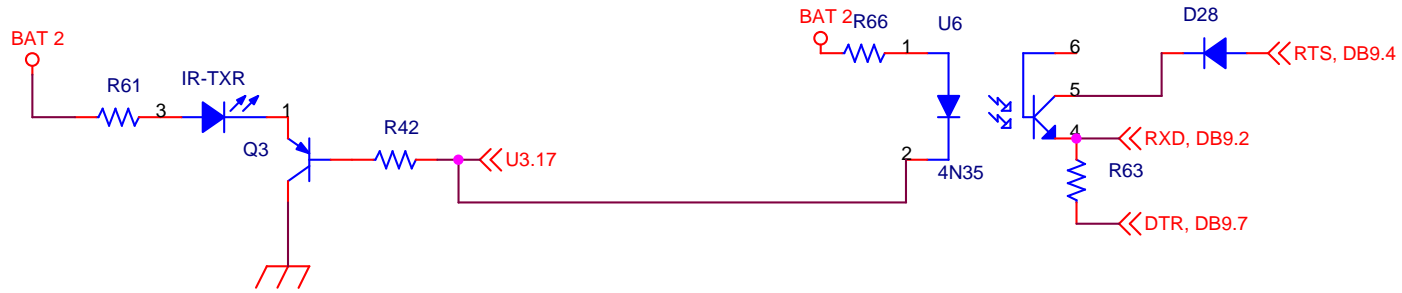
| | | |
|--------------------------|--------------------------|------------------|
| AS DAQ SYSTEMS PVT. LTD. | | |
| Title <Title> | | |
| Size A | Document Number <Doc> | Rev <RevCode> |
| Date: | Thursday, March 18, 2004 | Sheet 1 of 1 |

LCD_63

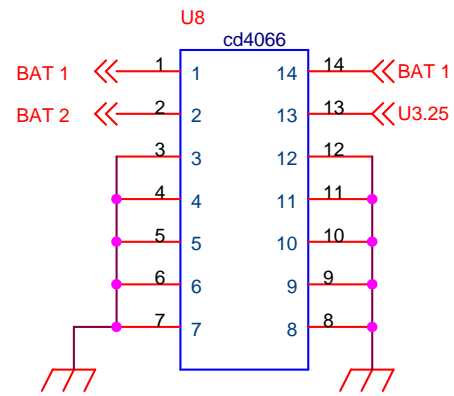
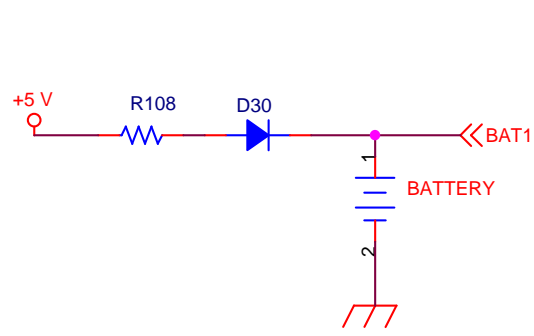


AS DAQ SYSTEMS PVT. LTD.

| | | |
|---------|--------------------------|--------------|
| Title | | |
| <Title> | | |
| Size | Document Number | Rev |
| A | <Doc> | <RevCode> |
| Date: | Thursday, March 18, 2004 | Sheet 1 of 1 |



| | | |
|---------|--------------------------|--------------|
| Title | | |
| <Title> | | |
| Size | Document Number | Rev |
| A | <Doc> | <RevCode> |
| Date: | Thursday, March 18, 2004 | Sheet 1 of 1 |



| | | |
|---------|--------------------------|--------------|
| Title | | |
| <Title> | | |
| Size | Document Number | Rev |
| A | <Doc> | <RevCode> |
| Date: | Thursday, March 18, 2004 | Sheet 1 of 1 |