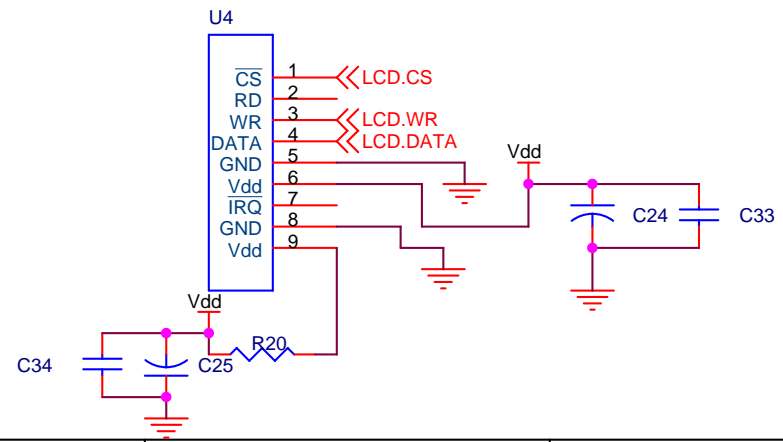
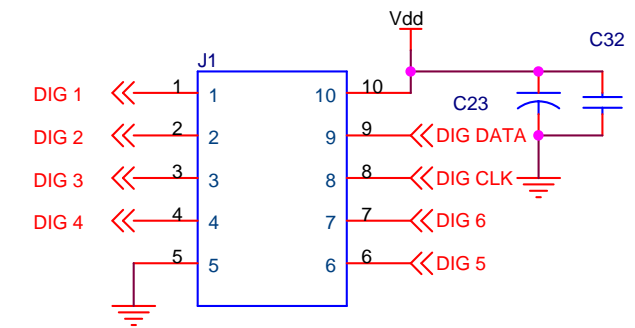
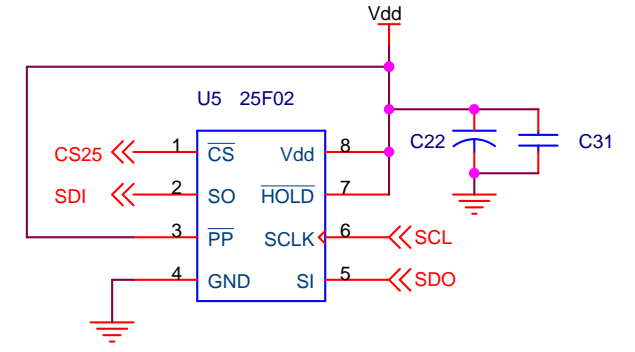
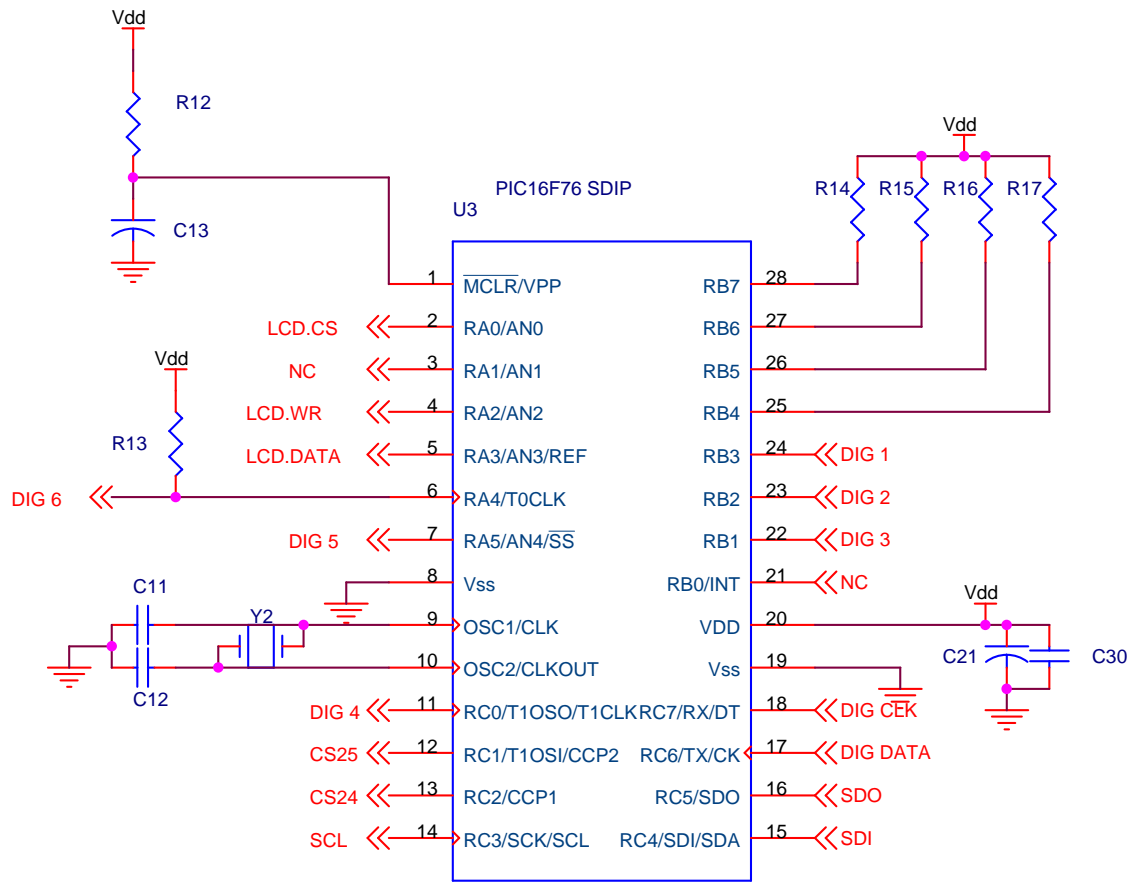
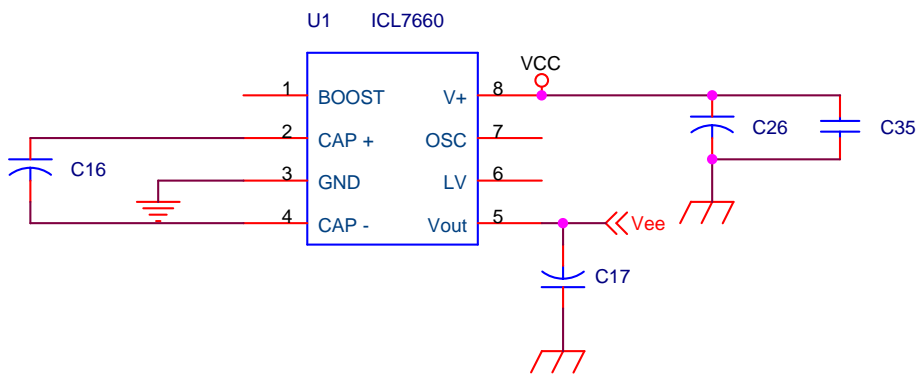
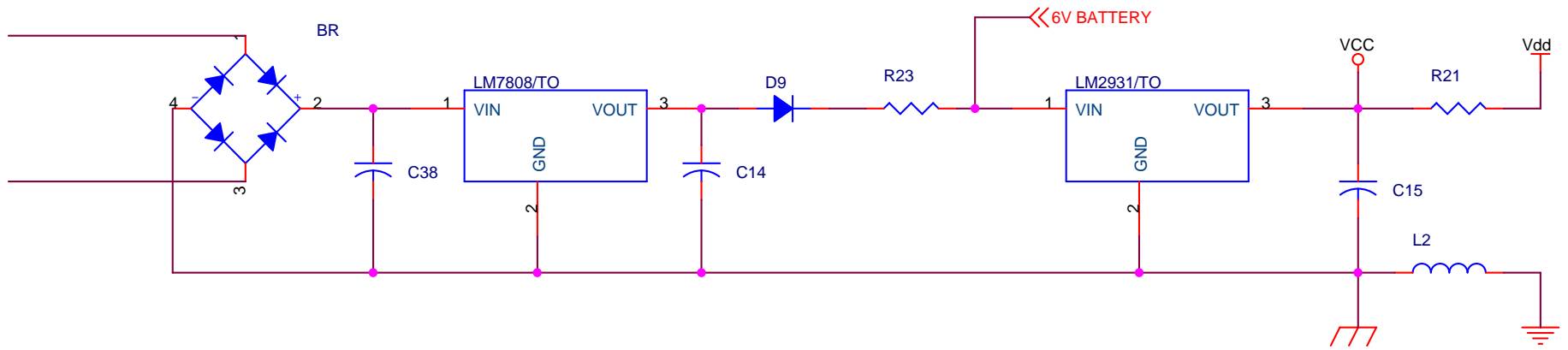


Title			
<Title>			
Size	Document Number	Rev	
A	<Doc>	Title	<RevCode>
Date: Monday, December 06, 2004		Sheet 1 of 1	
Size	Document Number	Rev	
A	<Doc>	<RevCode>	
Date: Monday, December 06, 2004		Sheet 1 of 1	



Title		
<Title>		
Size	Document Number	Rev
A	<Doc>	<RevCode>
Date:	Monday, December 06, 2004	Sheet 1 of 1



Title		
<Title>		
Size	Document Number	Rev
A	<Doc>	<RevCode>
Date:	Monday, December 06, 2004	Sheet 1 of 1